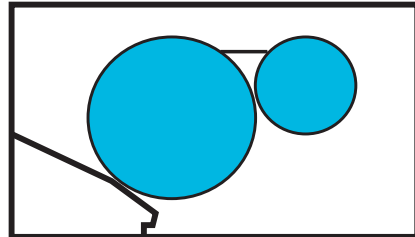


Date of Installation : _____

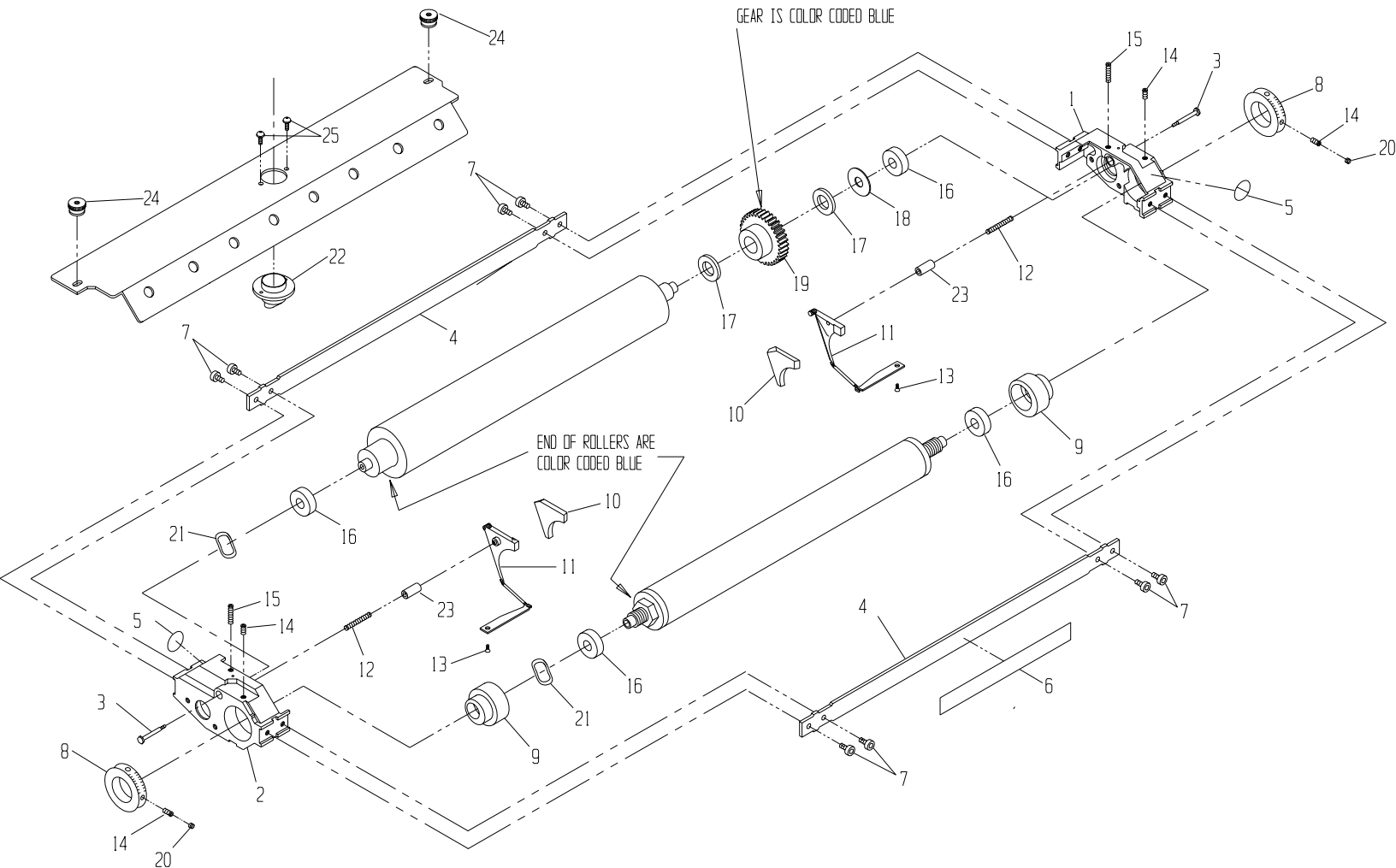
Unit Serial Number : _____

Kompac Dealer : _____
PRINTERS PARTS
800-543-1117 201-935-9595
fax 800-392-4072 201-935-5333
www.ppsnj.com

VARN
Kompac[®]



MODEL : M-2629
PARTS CATALOG # 90502



ITEM#	PART #	DESCRIPTION	QTY
1	92200	R.H. END FRAME ASSY	1
2	92210	L.H. END FRAME ASSY	1
3	92303	SHOULDER SCREW	2
4	92492	11" TIE BAR	2
5	92601	INWARD NIP SYMBOL	2
6	92494	WARNING STICKER	1
7	91818	#10-24 X 3/8 SDC HD SCREW	8
8	92222	METERING GAUGE	2
9	92291	ECCENTRIC	2
10	92370	SEAL SET (L.H. & R.H. SEALS)	1
11	92380	SEAL BACKING PLATE KIT	1
12	92238	COMPRESSION SPRING	2
13	91802	#3-48 X 1/4 FLAT HD SCREW	2
14	91811	#10-24 X 1/4 SET SCREW	4
15	91814	#10-24 X 3/4 STUD	2

ITEM#	PART #	DESCRIPTION	QTY
16	92401	BEARING	4
17	92801	GREASE SEAL	2
18	92415	THRUST WASHER	1
19	92800	GEAR CLUTCH ASSY	1
20	91810	#10-24 X 1/8 SLOT SET SCW	2
21	92491	WAVE WASHER	2
22	92604	NOZZLE	1
23	92304	GUIDE PIN	2
24	92691	COVER NUT	2
25	91806	#6-32 X 3/8 PHILLIPS HD SCW	2

* PARTS SHOWN ON THIS DRAWING WITHOUT ITEM NUMBERS ARE PART OF ANOTHER ASSEMBLY AND ARE LISTED ON BACK PAGE.

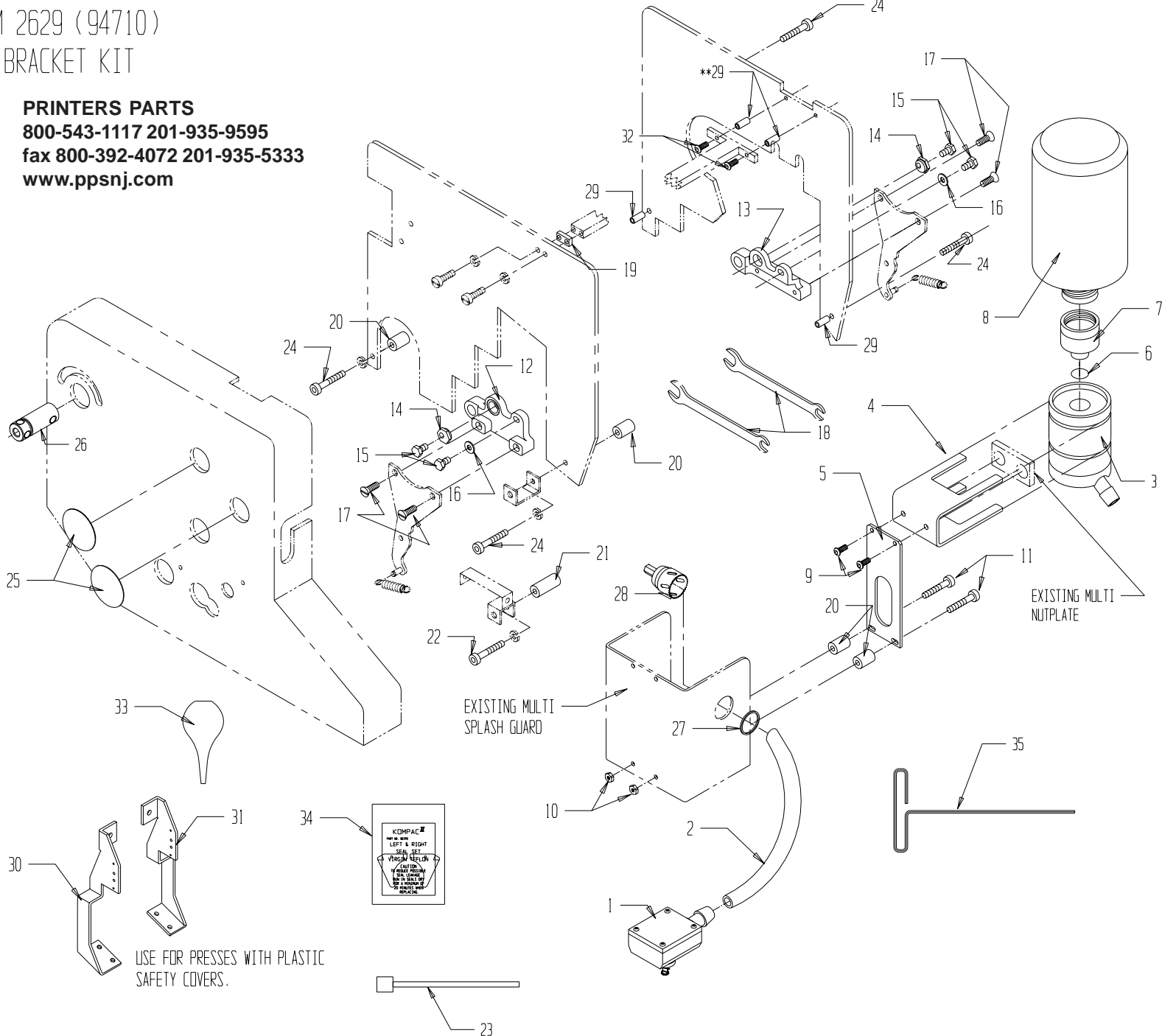
BRACKET KIT

PRINTERS PARTS

800-543-1117 201-935-9595

fax 800-392-4072 201-935-5333

www.ppsnj.com



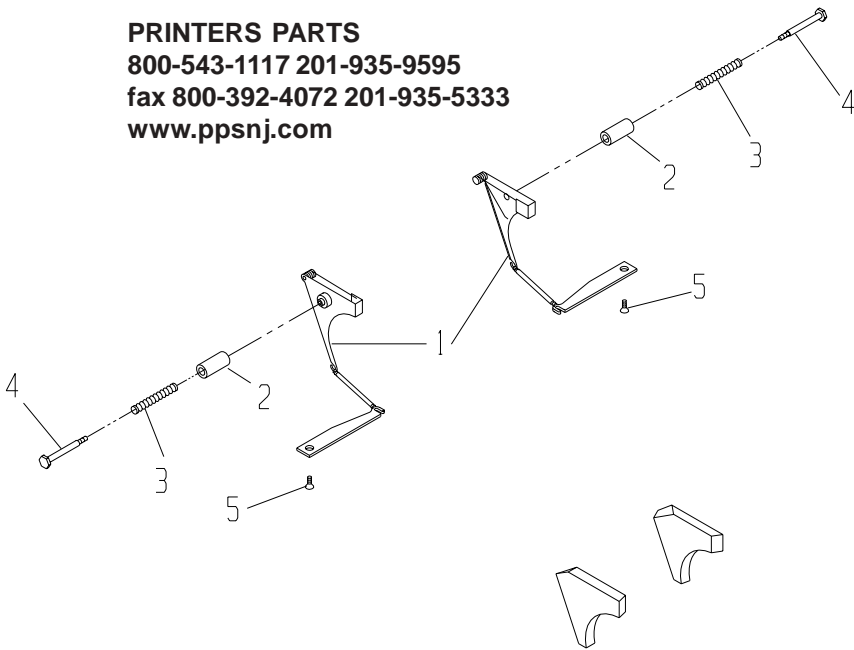
ITEM#	PART #	DESCRIPTION	QTY
1	92750	ADAPTER BASE ASSEMBLY	1
2	92756	1/2" I.D. VINYL TUBING	1
3	92740	BOTTLE VALVE ASS'Y.	1
4	92749	UNIVERSAL BOTTLE BRACET	1
5	92748	UNIVERSAL BRACKET	1
6	92765	"O" RING	1
7	92760	DISPENSING VALVE ASS'Y.	1
8	92771	ROUND CALIBRATED BOTTLE	1
9	91842	#10-32 x 5/8" SOC. HD. SCREW	2
10	91969	#10-32 LOCK NUT	2
11	91853	#10-32 x 1 1/8" SOC. HD. SCREW	2
12	93501	L.H. MOUNTING BRACKET	1

ITEM#	PART #	DESCRIPTION	QTY
13	93502	R.H. MOUNTING BRACKET.	1
14	93543	BRACKET ECCENTRIC	2
15	91868	1/4-20 x 3/4" HED HD. SCREW	4
16	91962	WASHER (NO. 12)	2
17	91885	1/4-20 x 5/8" FLAT HD. SCREW	4
18	93555	KOMPAC WRENCH	2
19	93656	SAFETY COVER SPACER	1
20	93654	COVER SPACER SHORT	6
21	93655	COVER SPACER	1
22	91848	#10-32 x 1 3/4" CAP HD SCREW	1
23	92053	NYLON CABLE TIE, 5 1/2" LONG	1
24	91874	1/4-28 X 1" CAP HD SCREW	4

ITEM#	PART #	DESCRIPTION	QTY
25	94409	Ø 2 STICKER	2
26	92052	INK RACHET STEM	1
27	94424	1 1/4" GROMMET	1
28	92644	1 1/4" HOLE SAW	1
29	91926	1/4" SPACERS	4
30	93575	COVER BRACKET (OP-SIDE).	1
31	93574	COVER BRACKET (NON-OP SIDE).	1
32	91833	#10-32 x 3/4" SOC. HD SCREW	2
33	92778	1 OUNCE SYRINGE	1
34	92370	VIRGIN TEFLON SEALS	1
35	90755	3/32" WRENCH	1

** SOME PRESS MODELS MAY REQUIRE LONGER SPACER ITEM #20 (TWO EXTRA ARE PROVIDED)

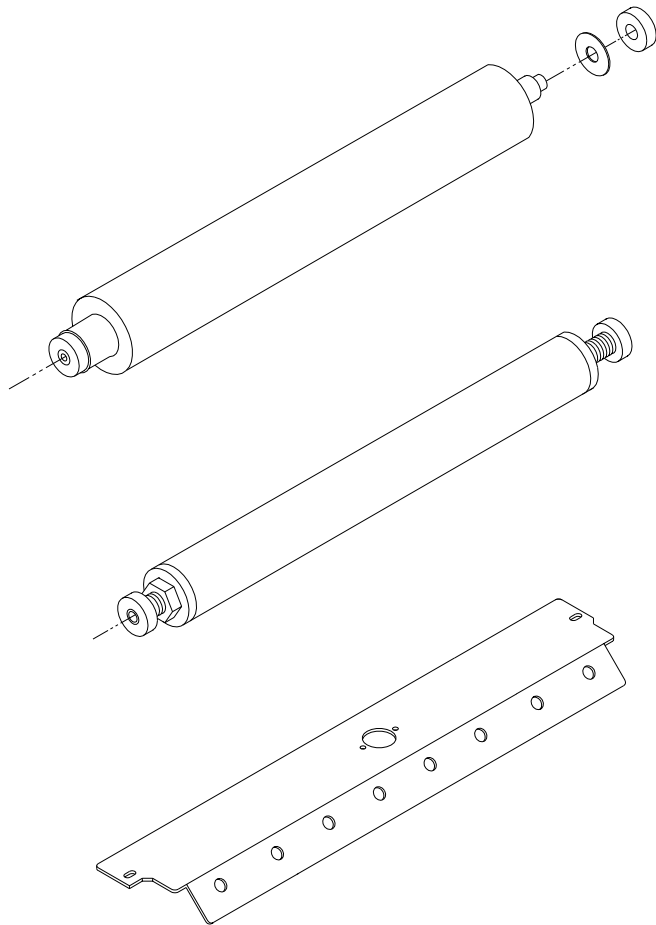
PRINTERS PARTS
 800-543-1117 201-935-9595
 fax 800-392-4072 201-935-5333
 www.ppsnj.com



BACKING PLATE ASS'Y
 PART NO. 92290

ITEM#	PART #	DESCRIPTION	QTY
1	92380	L.H. & R.H. BACKING PLATES	1
2	92304	GUIDE PIN	2
3	92238	COMPRESSION SPRING	2
4	92303	SHOULDER BOLT	2
5	91802	#3-48 x 1/4" FLAT HEAD SCREW	2

L.H. & R.H. VIRGIN SEAL SET
 PART NO. 92370



FORM ROLLER ASS'Y
 PART NO. 92410
 (INCLUDING TWO BEARINGS
 AND ONE THRUST WASHER)

METERING ROLLER ASS'Y
 PART NO. 92400
 (INCLUDING TWO BEARINGS)

COVER ASS'Y
 PART NO. 92600
 (INCLUDING ONE NOZZLE,
 AND TWO SCREWS)